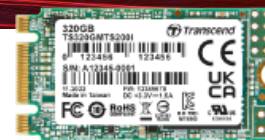


Embedded Solutions



SATA III M.2 SSDs

MTS200I

Transcend's MTS200I features a SATA III 6Gb/s interface, 112-layer 3D NAND flash, and SLC Mode technology, delivering high sustained speeds and SLC-grade durability. In addition, the 30 μ " gold finger PCB, Corner Bond technology, and anti-sulfur resistors guarantee its reliability in harsh conditions. Transcend's MTS200I is also 100% chamber tested in-house for wide operating temperatures of -40 $^{\circ}$ C~85 $^{\circ}$ C.

Hardware Features

- High-quality 3D NAND flash and SLC mode for exceptional endurance and reliability
- Anti-sulfur technology implemented to prevent sulfurization in the environment
- 30 μ " PCB gold finger
- Key components fortified by default with Corner Bond technology
- Promised operational reliability in a wide temperature range (from -40 $^{\circ}$ C to 85 $^{\circ}$ C)

Firmware Features

- Dynamic thermal throttling
- Built-in LDPC ECC (Error Correction Code) functionality
- Advanced Global Wear-Leveling and Block management for reliability
- Advanced Garbage Collection
- Supports S.M.A.R.T. function to conduct health monitoring, analysis, and reporting for storage devices

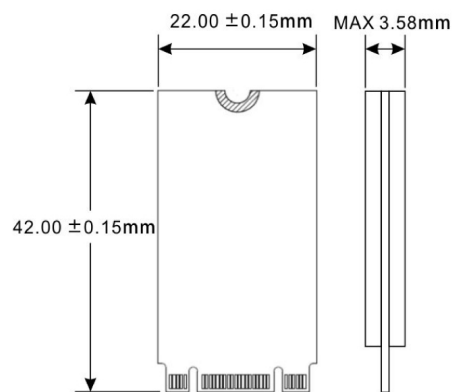
Ordering Information

20GB	TS20GMTS200I
40GB	TS40GMTS200I
80GB	TS80GMTS200I
160GB	TS160GMTS200I
320GB	TS320GMTS200I

Specifications

Appearance	Dimensions	42 mm x 22 mm x 3.58 mm (1.65" x 0.87" x 0.14")
	Weight	5 g (0.18 oz)
	M.2 Type	2242-D2-B-M (Double-sided)
	Form Factor	M.2 2242
Interface	Bus Interface	SATA III 6Gb/s
Storage	Capacity	20 GB / 40 GB / 80 GB / 160 GB / 320 GB
	Flash Type	112-layer 3D NAND flash (SLC mode)
Operating Environment	Operating Voltage	3.3V±5%
	Operating Temperature	Wide Temp. -40°C (-40°F) ~ 85°C (185°F)
	Storage Temperature	-55°C (-67°F) ~ 85°C (185°F)
	Humidity	5% ~ 95%
	Shock	1500 G, 0.5 ms, 3 axis
	Vibration (Operating)	20 G (peak-to-peak), 7 Hz ~ 2,000 Hz (frequency)
Power	Power Consumption (Operation)	1.1 watt(s)
	Power Consumption (IDLE)	0.25 watt(s)
Performance	Sequential Read/Write (CrystalDiskMark)	Read: up to 560 MB/s Write: up to 500 MB/s
	4K Random Read/Write (IOmeter)	Read: up to 45,000 IOPS Write: up to 80,000 IOPS
	Mean Time Between Failures (MTBF)	3,000,000 hour(s)
	Terabytes Written (TBW)	up to 2,250 TBW
	Drive Writes Per Day (DWPD)	51.4 (3 yrs)
Warranty	Certificate	CE / UKCA / FCC / BSMI
	Warranty	Three-year Limited Warranty

Mechanical Dimensions



Product specifications are subject to change without notice. Pictures shown may differ from actual products. Total accessible capacity varies depending on operating environment. Due to the complexity and variety of industrial applications, Transcend cannot guarantee 100% compatibility with all platforms and under all scenarios. For special applications and environments, it is strongly suggested that you contact Transcend beforehand for clarification.