

Embedded Solutions



PATA

PATA PTM820 Flash Module (44 Pin Horizontal)

Transcend's 44-pin PATA PTM820 Flash Module can be inserted directly to the PATA (IDE) interface of a motherboard to replace conventional 2.5" hard disk drives. Ideal for use as bootable drives, the 44-pin PATA PTM820 Flash Module is an easy solution for integrating SSD storage technology into laptop-based legacy systems.

Hardware Features

- Compliant with RoHS 2.0 standards
- SLC NAND flash

Firmware Features

- Security Command
- Supports S.M.A.R.T. function to conduct health monitoring, analysis, and reporting for storage devices
- Built-in ECC (Error Correction Code) functionality
- Based on Ultra DMA Mode 0~5
- Based on PIO Mode 0~4

Ordering Information

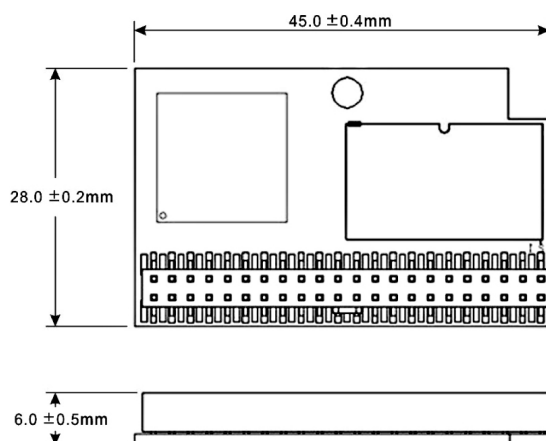
512MB	TS512MPTM820
-------	--------------

1GB	TS1GPTM820
-----	------------

Specifications

Appearance	Dimensions	45.0 mm x 28.0 mm x 6.0 mm (1.77" x 1.1" x 0.24")
	Weight	11 g (0.39 oz)
	Pin Count	44 pin
Interface	Bus Interface	PATA
Storage	Flash Type	SLC NAND flash
	Capacity	512 MB / 1 GB
Power	Power Consumption (Operation)	0.45 watt(s)
Performance	Read Speed (Max.)	up to 21 MB/s
	Write Speed (Max.)	up to 14 MB/s
	Mean Time Between Failures (MTBF)	1,000,000 hour(s)
Warranty	Warranty	Three-year Limited Warranty

Mechanical Dimensions



Product specifications are subject to change without notice. Pictures shown may differ from actual products. Total accessible capacity varies depending on operating environment. Due to the complexity and variety of industrial applications, Transcend cannot guarantee 100% compatibility with all platforms and under all scenarios. For special applications and environments, it is strongly suggested that you contact Transcend beforehand for clarification.