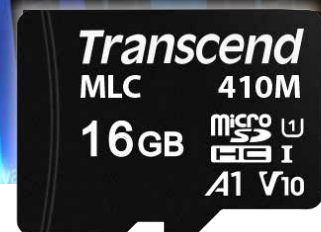


## Embedded Solutions



### microSD Cards

# microSD/SDHC 410M

Built with top-quality MLC NAND flash chips, Transcend's microSD/SDHC 410M memory cards can endure operating temperatures from -25°C to 85°C; and set a new standard for consistent, long-term performance even in the harshest conditions. Moreover, these cards offer high-speed data transfer rates and extra large storage space to satisfy the demanding performance and capacity requirements of embedded applications, such as medical devices, surveillance systems, and POS terminals.

## Features

- Compliant with UHS-I
- Compliant with SD specification 5.1
- Supports UHS-I 10 Speed Class 10
- Supports Application Performance Class 1 (A1)
- Compliant with RoHS 2.0 standards
- Endurance: 3K P/E cycles (Program/Erase cycles) guaranteed
- Built-in ECC (Error Correction Code) functionality
- Electrostatic protection (ESD IEC 61000-4-2)

## Ordering Information

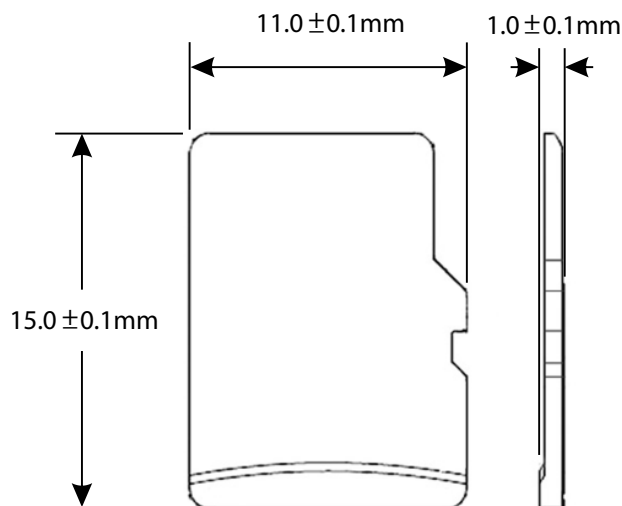
2GB	TS2GUSD410M
4GB	TS4GUSD410M
8GB	TS8GUSD410M
16GB	TS16GUSD410M

Note: Transcend's microSD 410M 2GB features MLC NAND flash, without UHS-I or A1 compliances

## Specifications

Appearance	Dimensions	11 mm x 15 mm x 1 mm (0.43" x 0.59" x 0.04")
	Form Factor	microSD flash card
Storage	Flash Type	MLC NAND flash
	Capacity	2 GB/4 GB/8 GB/16 GB
Operating Environment	Operating Voltage	2.7V ~ 3.6V
	Drop Test	1.5m free fall
	Operating Temperature	-25°C (-13°F) ~ 85°C (185°F)
	Storage Temperature	-40°C (-40°F) ~ 85°C (185°F)
	Humidity	0% ~ 95%
	Vibration (Operating)	20 G (peak-to-peak), 20 Hz ~ 2,000 Hz (frequency)
Performance	Read Speed (Max.)	95 MB/s
	Write Speed (Max.)	30 MB/s
	Terabytes Written (Max.)	43 TB
Warranty	Certificate	CE/FCC/BSMI
	Warranty	Three-year Limited Warranty
Note	• Speed may vary due to host hardware, software, usage, and storage capacity.	

## Mechanical Dimensions



Product specifications are subject to change without notice. Pictures shown may differ from actual products. Total accessible capacity varies depending on operating environment. Due to the complexity and variety of industrial applications, Transcend cannot guarantee 100% compatibility with all platforms and under all scenarios. For special applications and environments, it is strongly suggested that you contact Transcend beforehand for clarification.



Please feel free to contact us with any special requests you might have.  
Tel: +886-2-2792-8000 [www.transcend-info.com](http://www.transcend-info.com)