



Embedded Solutions

PCIe eSSD ETD410T



Transcend's ETD410T U.2 Enterprise SSD is the ideal solution for data centers and high-performance servers. Featuring high-quality enterprise TLC NAND flash (eTLC), a PCIe Gen4 x4 interface, and a large DRAM cache, it delivers exceptional transfer speeds to seamlessly handle massive data workloads.

Powered by an advanced 12nm controller, the ETD410T ensures outstanding performance, energy efficiency, and reliability. Its optimized thermal design enhances heat dissipation, keeping operations cool and stable under heavy workloads. Enjoy superior Quality of Service (QoS), ultra-low latency, and exceptional endurance for incredibly fast loading times. Additionally, built-in hardware Power Loss Protection (PLP) safeguards data integrity, even in the event of an unexpected power outage.

Upgrade to Transcend's ETD410T and experience next-level performance for mainstream server applications.

Hardware Features

- Endurance: 7K P/E cycles (Program/Erase cycles) guaranteed
- PCIe Gen 4 x4 interface
- Compliant with NVM Express specification 1.4
- Power Loss Protection (PLP) to prevent data loss in the event of sudden power outage
- DRAM Cache embedded

Firmware Features

- Built-in 4K LDPC ECC (Error Correction Code) functionality
- Secure Erase
- Wear-Leveling
- Advanced Garbage Collection
- Supports S.M.A.R.T. function to conduct health monitoring, analysis, and reporting for storage devices

Ordering Information

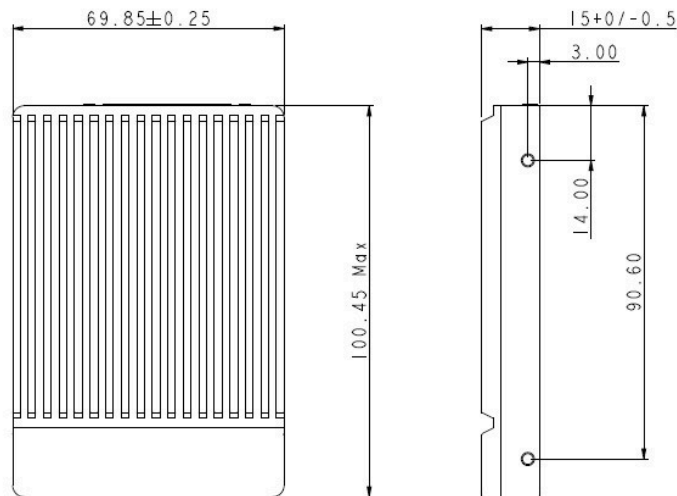
3840GB	TS3T84ETD410T
--------	---------------

7680GB	TS7T68ETD410T
--------	---------------

Specifications

Appearance	Dimensions	100.45 mm x 69.85 mm x 15 mm (3.95" x 2.75" x 0.59")
	Weight	195 g (6.88 oz)
	Form Factor	U.2 2.5"
Interface	Bus Interface	NVMe PCIe Gen4 x4
Storage	Capacity	3.84 TB / 7.68 TB
	Flash Type	112-layer eTLC NAND Flash
Operating Environment	Operating Voltage	12.0V±5%
	Operating Temperature	0°C (32°F) ~ 70°C (158°F)
	Storage Temperature	-40°C (-40°F) ~ 85°C (185°F)
	Humidity	5% ~ 95%
	Shock	15 G, 11 ms, 3 axis
	Vibration (Operating)	3.13 G (peak-to-peak), 5 Hz ~ 800 Hz (frequency)
Power	Power Consumption (Operation)	19 watt(s)
Performance	Read Speed (Max.)	Up to 7,400 MB/s
	Write Speed (Max.)	Up to 5,050 MB/s
	Sequential Read/Write	Read: Up to 7,400 MB/s Write: Up to 5,050 MB/s
	4K Random Read/Write	Read: Up to 1,300,000 IOPS Write: Up to 200,000 IOPS
	Quality of Service (QoS)	99% Read: 83 Write: 13
	Latency (4K, QD=1)	Read: 72 Write: 12
	Mean Time Between Failures (MTBF)	2,000,000 hour(s)
	Terabytes Written (TBW)	Up to 14,016 TBW
	Drive Writes Per Day (DWPD)	1 (5 yrs)
	Warranty	Certificate
Warranty		Five-year Limited Warranty

Mechanical Dimensions



Product specifications are subject to change without notice. Pictures shown may differ from actual products. Total accessible capacity varies depending on operating environment. Due to the complexity and variety of industrial applications, Transcend cannot guarantee 100% compatibility with all platforms and under all scenarios. For special applications and environments, it is strongly suggested that you contact Transcend beforehand for clarification.