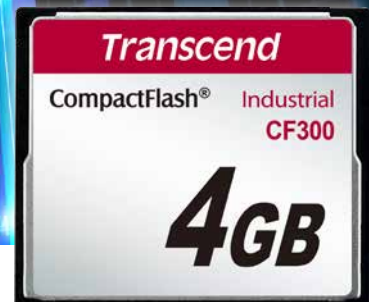


## Embedded Solutions



## CompactFlash Cards CF300 CF Card

Transcend's CF300 cards are high-speed industrial CF cards offering impressive 300X transfer rates. With matchless performance and durability, CF300 CF cards are perfect for POS and embedded systems that require both industrial-grade reliability and an ultra-high speed data transfer.

### Features

- RoHS compliant product
- CompactFlash Specification Version 6.0 Compliant
- Support S.M.A.R.T (Self-defined)
- Support Security Command
- Support Wear-Leveling to extend product life
- Operation Modes: PC Card Memory, PC Card IO, True IDE
- True IDE Mode supports: UDMA0-5, MDMA0-4, PIO0-6
- True IDE Mode: Fixed Disk (Standard)
- PC Card Mode supports up to Ultra DMA Mode 5
- PC Card Mode: Removable Disk (Standard)
- Built-in ECC (Error Correction Code) functionality and wear-leveling algorithm ensures highly reliable of data transfer
- Power Shield prevents data loss in the event of a sudden power outage (optional feature)

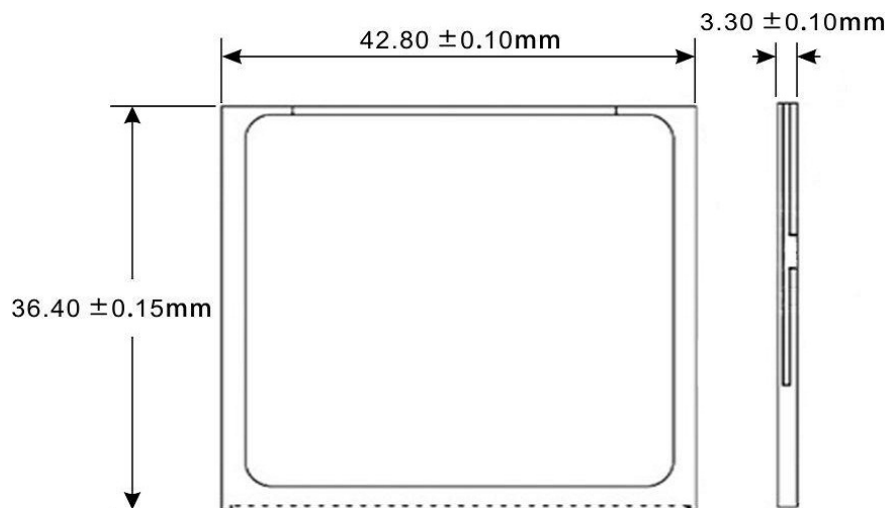
### Ordering Information

128MB	TS128MCF300
256MB	TS256MCF300
512MB	TS512MCF300
1GB	TS1GCF300
2GB	TS2GCF300
4GB	TS4GCF300

## Specifications

Appearance	Dimensions	42.8 mm x 36.4 mm x 3.3 mm (1.69" x 1.43" x 0.13")
	Pin	50 pin
	Form Factor	Compact flash card
Storage	Flash Type	SLC NAND flash
	Capacity	128 MB/256 MB/512 MB/1 GB/2 GB/4 GB
Operating Environment	Operating Voltage	3.3V±5% or 5V±10%
	Operating Temperature	-25°C (-13°F) ~ 85°C (185°F)
	Storage Temperature	-40°C (-40°F) ~ 85°C (185°F)
	Humidity	0% ~ 95%
	Shock	Acceleration: 490 m/s <sup>2</sup> (standard holding time: 11 ms, semi-sine wave, velocity change: 3.44 m/s)
	Vibration (Operating)	20 G (peak-to-peak), 20 Hz ~ 2,000 Hz (frequency)
Power	Power Consumption (Max.)	0.33 watt(s)
Performance	Read Speed (Max.)	59 MB/s
	Write Speed (Max.)	24 MB/s
	Mean Time Between Failures (MTBF)	1,000,000 hour(s)
Warranty	Warranty	Three-year Limited Warranty
Note	• Speed may vary due to host hardware, software, usage, and storage capacity.	

## Mechanical Dimensions



Product specifications are subject to change without notice. Pictures shown may differ from actual products. Total accessible capacity varies depending on operating environment. Due to the complexity and variety of industrial applications, Transcend cannot guarantee 100% compatibility with all platforms and under all scenarios. For special applications and environments, it is strongly suggested that you contact Transcend beforehand for clarification.



Please feel free to contact us with any special requests you might have.  
Tel: +886-2-2792-8000 [www.transcend-info.com](http://www.transcend-info.com)