

Embedded Solutions



SATA III M.2 SSDs MTS930T

With the combination of larger storage capacity and lower production costs, Transcend's 3D TLC SSDs are the game-changer to the market, delivering endurance equivalent to what MLC-based solutions once prided themselves with. MTS930T with SATA III 6Gb/s interface, ultra compact dimensions and 3D NAND flash makes it best suited to address the high-performance needs and strict size limitations of small form factor devices, all while being extra cost-effective and brought to you at an attractive price.

Features

- Space-saving M.2 form factor (80mm) – ideal for mobile computing devices
- Supports DevSleep mode (optional), which allows devices to completely shut down the SATA interface and conserve battery life unlike existing partial/slumber states
- Supports S.M.A.R.T., TRIM and NCQ command
- RoHS compliant
- Advanced Global Wear-Leveling and Block management for reliability
- Supports Advanced Garbage Collection
- Built-in LDPC ECC (Error Correction Code) functionality
- Great shock resistance
- Bad Block Management
- Non-volatile Flash Memory for outstanding data retention

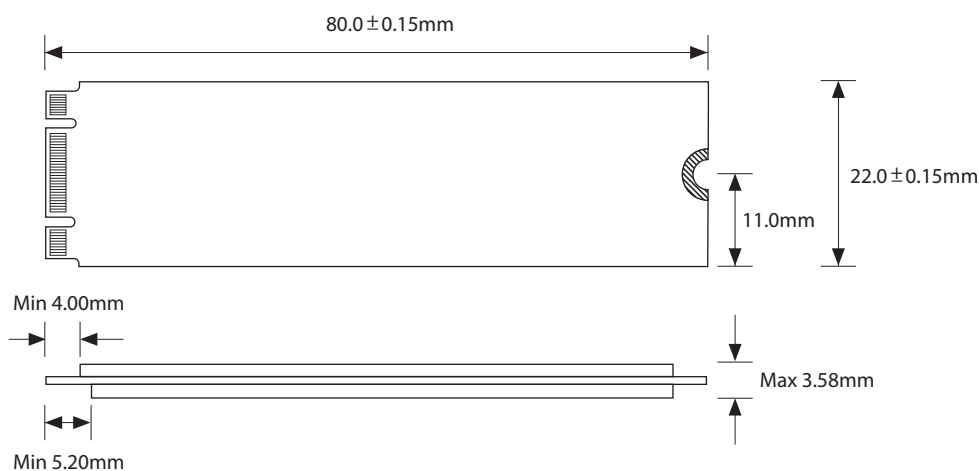
Ordering Information

| | |
|-------|---------------|
| 64GB | TS64GMTS930T |
| 128GB | TS128GMTS930T |
| 256GB | TS256GMTS930T |

Specifications

| | | |
|-----------------------|---|---|
| Appearance | Dimensions | 80.0 mm x 22.0 mm x 3.58 mm (3.15" x 0.87" x 0.14") |
| | Weight | 8 g (0.28 oz) |
| | Form Factor | M.2 |
| | M.2 Type | 2280-S2-B-M |
| Interface | Bus Interface | SATA III 6Gb/s |
| Storage | Flash Type | 3D TLC NAND flash |
| | Capacity | 64 GB/128 GB/256 GB |
| Operating Environment | Operating Voltage | 3.3V±5% |
| | Operating Temperature | 0°C (32°F) ~ 70°C (158°F) |
| | Storage Temperature | -40°C (-40°F) ~ 85°C (185°F) |
| | Humidity | 5% ~ 95% |
| | Shock | 1500 G, 0.5 ms, 3 axis |
| | Vibration | 20 G (peak-to-peak), 5 Hz ~ 800 Hz (frequency) |
| Power | Power Consumption (Operation) | 1.35 watt(s) |
| | Power Consumption (Sleep) | 0.38 watt(s) |
| Performance | Sequential Read/Write (ATTO, max.) | Read: 550 MB/s; write: 500 MB/s |
| | Sequential Read/Write (CrystalDiskMark, max.) | Read: 550 MB/s; write: 500 MB/s |
| | 4K Random Read/Write (IOmeter, max.) | Read: 80,000 IOPS; write: 80,000 IOPS |
| | Mean Time Between Failures (MTBF) | 1,000,000 hour(s) |
| | Terabytes Written (Max.) | 150 TBW |
| | Drive Writes Per Day (DWPD) | 0.54 (3 yrs) |
| Warranty | Certificate | CE/FCC/BSMI |
| | Warranty | Three-year Limited Warranty |
| Note | <ul style="list-style-type: none"> • Speed may vary due to host hardware, software, usage, and storage capacity. • The workload used to rate DWPD may be different from your actual workload, which may vary due to host hardware, software, usage, and storage capacity. | |

Mechanical Dimensions



Product specifications are subject to change without notice. Pictures shown may differ from actual products. Total accessible capacity varies depending on operating environment. Due to the complexity and variety of industrial applications, Transcend cannot guarantee 100% compatibility with all platforms and under all scenarios. For special applications and environments, it is strongly suggested that you contact Transcend beforehand for clarification.



Please feel free to contact us with any special requests you might have.
Tel: +886-2-2792-8000 www.transcend-info.com

