

Embedded Solutions

MMC MMCmobile

Based on MultiMediaCard System Specification version 4.0, Transcend's MMCmobile cards operate at fast clock speeds and support enhanced bus-width modes for storing and accessing data-intensive content, making them ideal for use in mobile phones or for POS applications.

Features

- Fully compatible with MultiMediaCard system specification version 4.0 and backwards compatible with previous specifications
- Support clock frequencies: 0~52MHz
- Support different Bus width: x1, x4, x8
- Data access mode: Byte mode



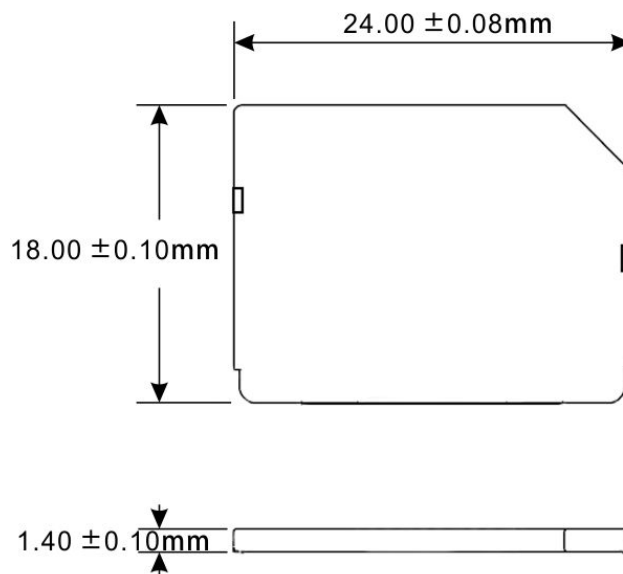
Ordering Information

1GB	TS1GRMMC4
-----	-----------

Specifications

Appearance	Dimensions (Max.)	24 mm x 32 mm x 1.4 mm (0.94" x 1.26" x 0.06")
	Weight (Max.)	1 g (0.04 oz)
	Form Factor	MMC Mobile
Storage	Flash Type	SLC NAND flash
	Capacity	1 GB
Operating Environment	Operating Voltage	2.7V ~ 3.6V
	Shock	-
	Operating Temperature	-25°C (-13°F) ~ 85°C (185°F)
	Storage Temperature	-40°C (-40°F) ~ 85°C (185°F)
	Humidity	0% ~ 95%
	Clock Frequency Supported	0 MHz ~ 52 MHz
	Bus Width Supported	x1, 4, 8
Performance	Drop Test	1.5m free fall
	Insertion/Removal Cycles	10,000
Warranty	Warranty	Three-year Limited Warranty
Note	• Speed may vary due to host hardware, software, usage, and storage capacity.	

Mechanical Dimensions



Product specifications are subject to change without notice. Pictures shown may differ from actual products. Total accessible capacity varies depending on operating environment. Due to the complexity and variety of industrial applications, Transcend cannot guarantee 100% compatibility with all platforms and under all scenarios. For special applications and environments, it is strongly suggested that you contact Transcend beforehand for clarification.



Please feel free to contact us with any special requests you might have.
Tel: +886-2-2792-8000 www.transcend-info.com

