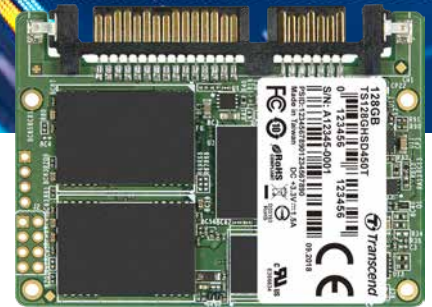


Embedded Solutions

Half-Slim SSDs SATA III 6Gb/s HSD450T



Equipped with a SATA III 6Gb/s interface and a powerful controller, Transcend's HSD450T Half-Slim SSD delivers outstanding transfer speeds in a compact form factor. Powered by 64-layer 3D NAND TLC flash memory, and with both DDR3 DRAM cache and powerful LDPC ECC built-in for reliable transfers, the HSD450T offers not only outstanding 4K random read and write performance but unmatched reliability at an attractive price, best suited to read-heavy applications and space-limited mobile devices such as industrial control systems, medical equipment, mobile devices, and POS terminals.

Features

- Compliant with RoHS standards
- Advanced Global Wear-Leveling and Intelligent Block management for reliability
- Advanced Garbage Collection
- Built-in LDPC ECC (Error Correction Code) functionality
- Power-saving DevSleep (Device Sleep) mode (optional)
- DDR3 DRAM Cache embedded
- TRIM command for better performance
- NCQ command for better performance
- Enhanced S.M.A.R.T. function for durability
- Security Command

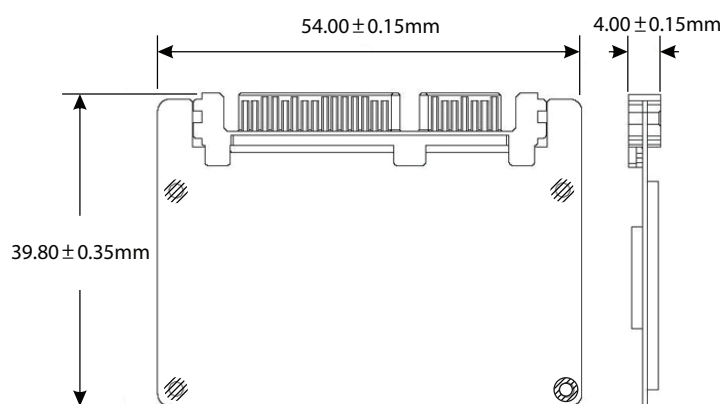
Ordering Information

32GB	TS32GHSD450T
64GB	TS64GHSD450T
128GB	TS128GHSD450T

Specifications

Appearance	Dimensions	54 mm x 39.8 mm x 4 mm (2.13" x 1.57" x 0.15")
	Weight	8 g (0.28 oz)
	mSATA Type	MO-297
	Pin	7+15 pin
	Form Factor	Half-slim
Interface	Bus Interface	SATA III 6Gb/s
Storage	Flash Type	3D TLC NAND flash
	Capacity	32 GB/64 GB/128 GB
Operating Environment	Operating Voltage	5V±5%
	Operating Temperature	0°C (32°F) ~ 70°C (158°F)
	Storage Temperature	-40°C (-40°F) ~ 85°C (185°F)
	Humidity	0% ~ 95%
	Shock	1500 G, 0.5 ms, 3 axis
Power	Vibration	20 G (peak-to-peak), 5 Hz ~ 800 Hz (frequency)
	Power Consumption (Operation)	2.15 watt(s)
Performance	Power Consumption (Sleep)	0.62 watt(s)
	Sequential Read/Write (ATTO, max.)	Read: 550 MB/s; write: 400 MB/s
Warranty	Sequential Read/Write (CrystalDiskMark, max.)	Read: 550 MB/s; write: 400 MB/s
	4K Random Read/Write (IOMeter, max.)	Read: 55,000 IOPS; write: 70,000 IOPS
	Mean Time Between Failures (MTBF)	1,000,000 hour(s)
	Terabytes Written (Max.)	80 TB
	Drive Writes Per Day (DWPD)	0.58 (3 yrs)
Note	Certificate	CE/FCC/BSMI
	Warranty	Three-year Limited Warranty
<ul style="list-style-type: none"> • Speed may vary due to host hardware, software, usage, and storage capacity. • The workload used to rate DWPD may be different from your actual workload, which may vary due to host hardware, software, usage, and storage capacity. 		

Mechanical Dimensions



Product specifications are subject to change without notice. Pictures shown may differ from actual products. Total accessible capacity varies depending on operating environment. Due to the complexity and variety of industrial applications, Transcend cannot guarantee 100% compatibility with all platforms and under all scenarios. For special applications and environments, it is strongly suggested that you contact Transcend beforehand for clarification.



Please feel free to contact us with any special requests you might have.

Tel: +886-2-2792-8000 www.transcend-info.com

